



Reference Guide

AVT - PC2

Power Controller



OVERVIEW

The AVT-PC2 Power Controller has two independently controlled 240V AC power outlets designed to suit power switching requirements for audio-visual, commercial, industrial or domestic applications.

An internal 12V DC power supply provides power to drive two opto-isolated 12 Amp power relays with a maximum load for both outlets fused at 10 Amps. Control inputs, typically from low voltage relays or switches, connect easily to the captive screw terminal block located on the opposite side to the power outlets on the power controller.

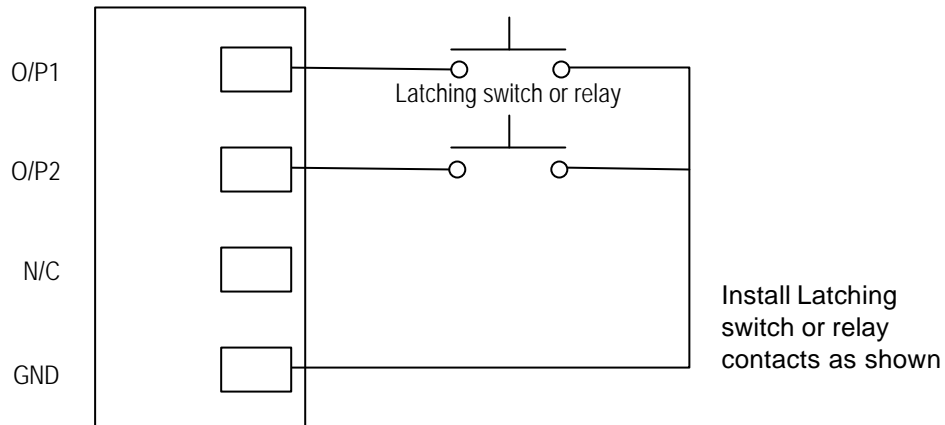
By providing a latched contact to O/P1 and O/P2 in respect to GND, equipment plugged into Outputs 1 & 2 respectively will be powered on.

Housed in a compact metal enclosure with a textured black powder coated finish, the power controller can be easily fastened to any flat surface using the keyhole-shaped slots in the flanges.

- 2 x 12 Amp power relays (total current - 10 Amps)
- Latching low voltage input control
- Simple plug and socket (2) connection to 240V AC

SETUP

Input Wiring



SPECIFICATIONS

Power

Control - 12V DC with a maximum of
10mA/contact
Outlets - 240V AC 10A (max.all relays on)

Case Size

60mm x 100mm x 185mm (HWD)

Weight

0.6 kg

Mounting

Horizontal/Vertical, keyhole slots on flange

A.V.Technology reserves the right to change specifications at any time without prior notice.